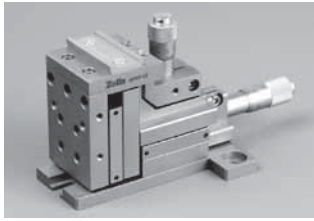
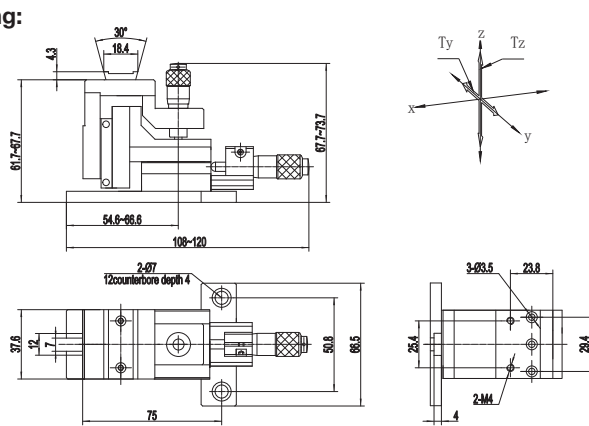


APFP-YZ Precision Fiber Alignment Stage



Drawing:

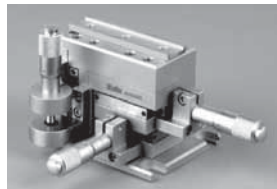
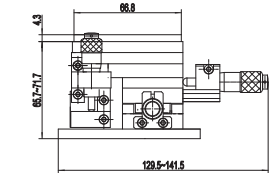


Specification:

- Ty: 12mm Tz: 6mm
- Sensitivity: $< 2\mu\text{m}$

APFP-XYZ Precision Fiber Alignment Stage, 13mm XY, 6mm Z Micrometers

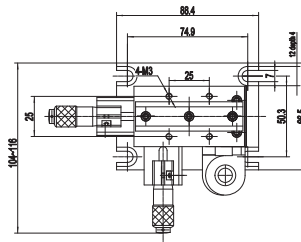
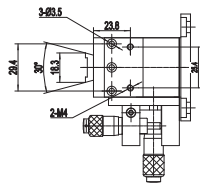
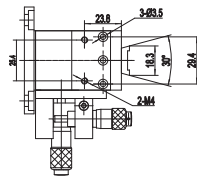
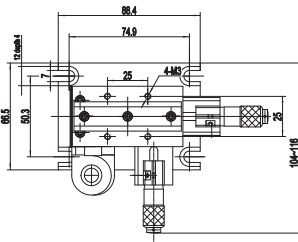
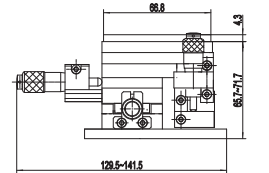
APFP-XYZ ▼



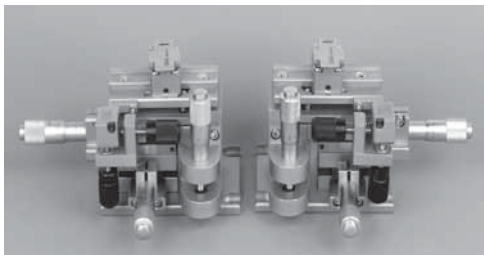
Specification:

- Tx: 12mm
- Ty: 12mm
- Tz: 6mm
- Sensitivity: $< 2\mu\text{m}$

APFP-XYZL ▼

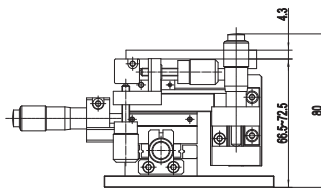


APFP-XYZT(L) Precision Fiber Alignment Stage

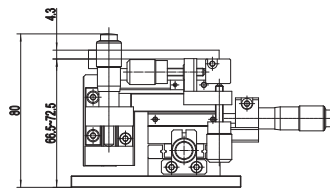


Drawing:

APFP-XYZTL ▼

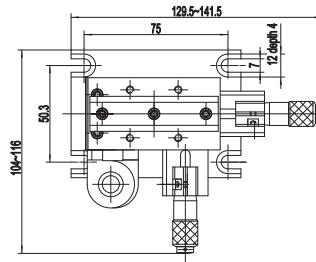
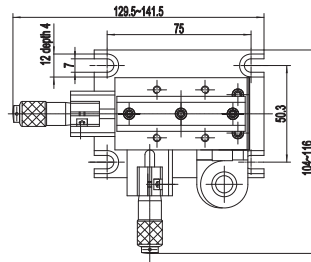


APFP-XYZT ▼

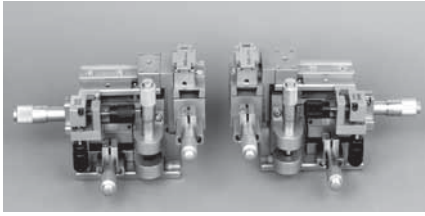


Specification:

- $\theta_y: \pm 3^\circ$ $\theta_z: \pm 3^\circ$
- Tx: 12mm
- Ty: 12mm
- Tz: 6mm
- Sensitivity: $< 2\mu\text{m}$

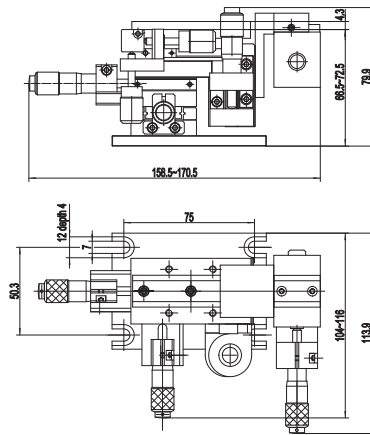


APFP-XYZTθ(L) Precision Fiber Alignment Stage

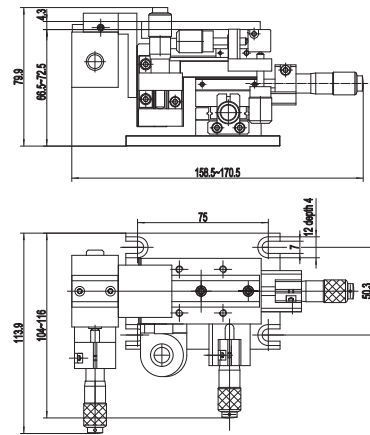


Drawing:

APFP-XYZTθL ▼



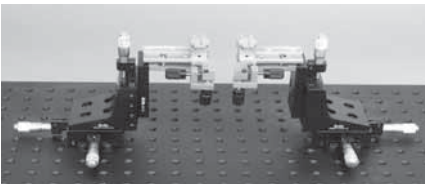
APFP-XYZTθ ▼



Specification:

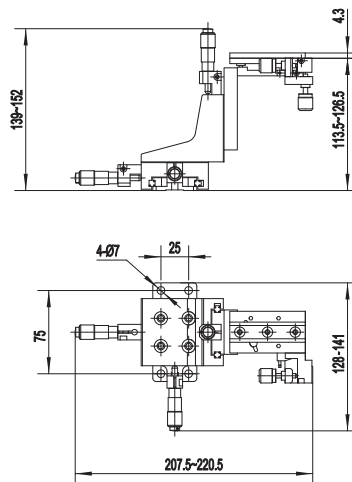
- $\theta_x: \pm 7^\circ$ $\theta_y: \pm 3^\circ$ $\theta_z: \pm 3^\circ$
- Tx: 12mm; Ty: 12mm; Tz: 6mm

FP-XYZT Precision Fiber Alignment Stage

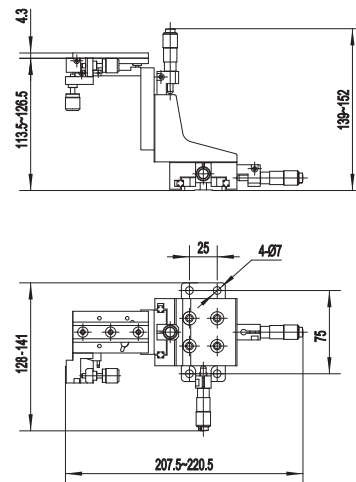


Drawing:

FP-XYZTL ▼



FP-XYZT ▼



Specification:

- Tx: 13mm
- Ty: 13mm
- Tz: 13mm
- $\theta_y: \pm 3^\circ$
- $\theta_z: \pm 3^\circ$

Application:

