

## UFP series High Sensitivity Fiber Coupling Stages



### Features:

- Multi-axis adjustment
- Linearity sensitivity is better than 0.5 $\mu$ m, angular sensitivity is better than 23.4"
- High stability

### Naming Rules

**UFP 3 C - L**

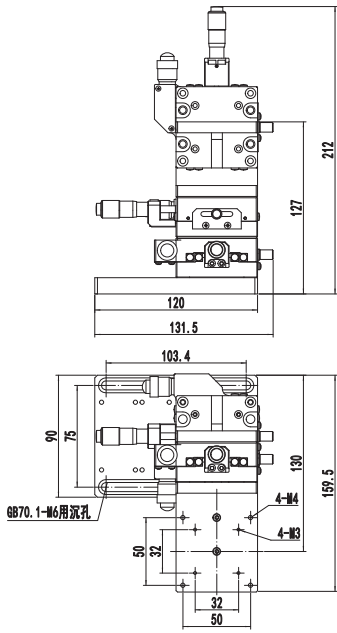
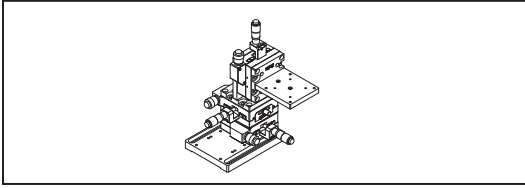


### Selection Table

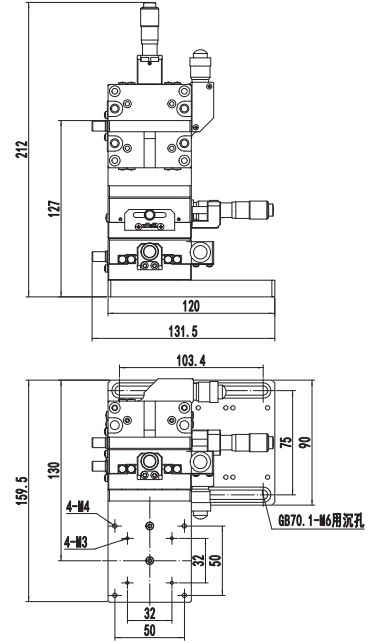
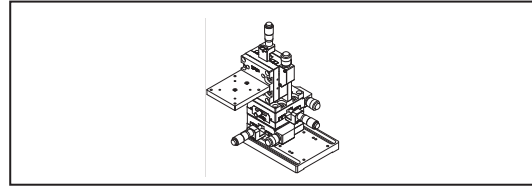
Model		UFP3C-L	UFP3C-R	UFP5C-L	UFP5C-R	UFP6C-L	UFP6C-R
Travel (Sensitivity)	X	coarse adjustment: $\pm 6.5$ mm; fine adjustment: $\pm 0.3$ mm; (coarse adjustment: $\leq 10\mu$ m; fine adjustment: $\leq 0.5\mu$ m)					
	Y	coarse adjustment: $\pm 6.5$ mm; fine adjustment: $\pm 0.3$ mm; (coarse adjustment: $\leq 10\mu$ m; fine adjustment: $\leq 0.5\mu$ m)					
	Z	coarse adjustment: $\pm 6.5$ mm; fine adjustment: $\pm 0.3$ mm; (coarse adjustment: $\leq 10\mu$ m; fine adjustment: $\leq 0.5\mu$ m)					
	$\theta_x$	-	-	$\pm 3^\circ$ ( $\leq 25.2''$ )			
	$\theta_y$	-	-	$\pm 3^\circ$ ( $\leq 23.4''$ )			
	$\theta_z$	-	-	-	-	$\pm 4^\circ$ ( $\leq 34''$ )	
Bearings		Crossed-Roller Bearings		Crossed-Roller Bearings+Crossed-Roller Ring			
Actuators		micrometer					
Weight(Kg)		1.74		2.37		2.7	
Load(Kg)		1.5		1		0.5	

Dimensions:

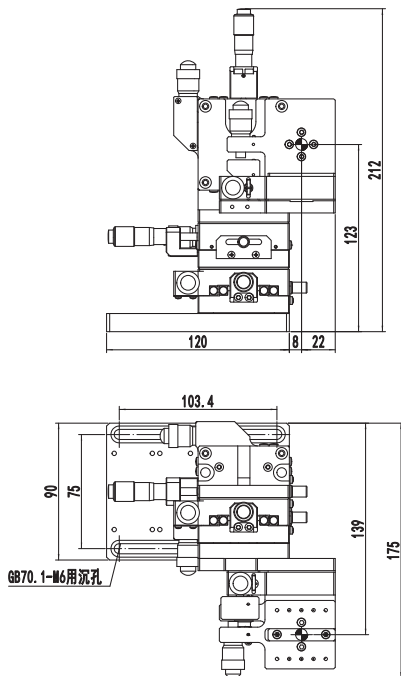
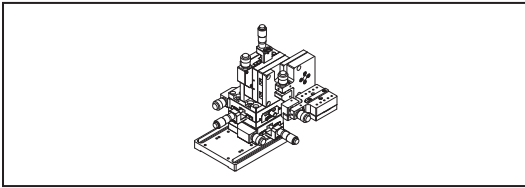
UFP3C-L



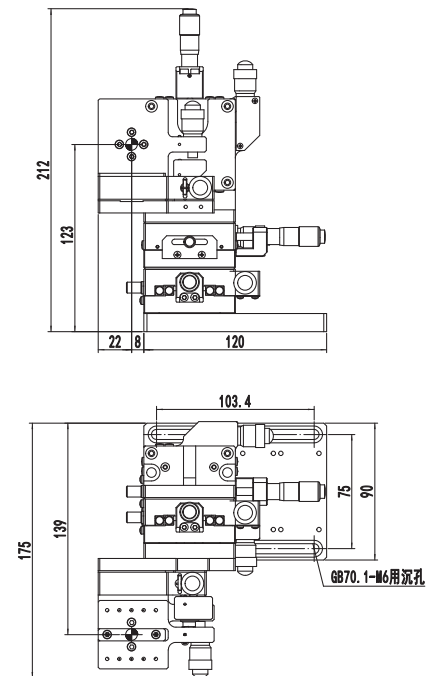
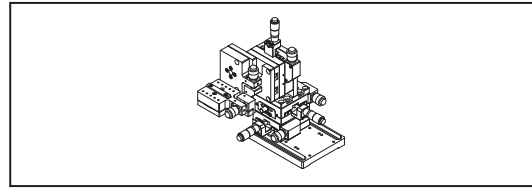
UFP3C-R



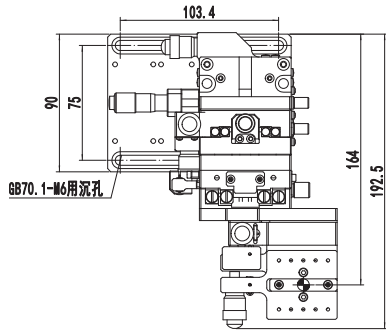
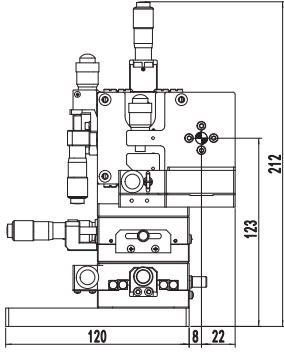
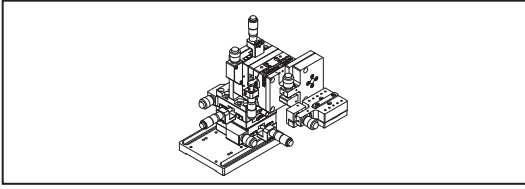
UFP5C-L



UFP5C-R



UFP6C-L



UFP6C-R

