

MAD25-CBH-xx series Adaptor for Beam splitter Cube



Brief Introduction:

MAD25-CBH-xx series adaptor for beam splitter cube attach to OMUS/OMHS series kinematic mirror mount

Selection Table:

Model	Name	Beamsplitter Cube Size (mm)	Mounting Hole Diameter(mm)
MAD25-CBH-10	beamsplitter cube adaptor	10	φ 25
MAD25-CBH-15	beamsplitter cube adaptor	15	φ 25
MAD25-CBH-20	beamsplitter cube adaptor	20	φ 25
MAD25-CBH-30	beamsplitter cube adaptor	30	φ 25

Related Products:



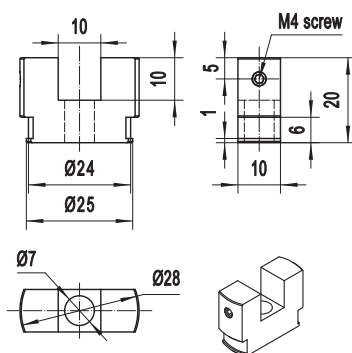
kinematic mirror mount OMHS,OMUS



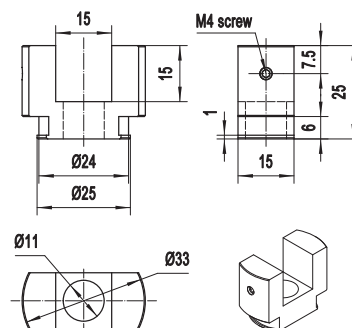
Connecting Accessories

Dimensions:

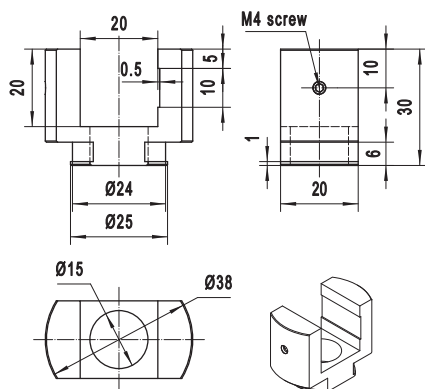
MAD25-CBH-10



MAD25-CBH-15



MAD25-CBH-20



MAD25-CBH-30

