

# NMM series Kinematic Mirror Mount



## Brief Introduction:

NMM series is the Zolix kinematic mirror mounts for small round optics, come with 28.5 small series and 20 ultra small series, suit for the optics adjustment within very compact space.

## Features:

- High-quality materials: The main body is made of high-quality aluminium alloy, and the surface treated by black anodic oxidation.
- Advanced compact structure :
  - ① The design of four-pull spring enhances the pulling force and makes the distribution of the pulling force more uniform.
  - ② Come with 28.5mm small series and 20mm ultra small series, suit for the optics adjustment within very compact space.
- High sensitivity: Come with 0.25 mm pitch super-fine thread pairs for 2D adjustment, for higher sensitivity
- Easy adjustment : Adjusting thread pair come with inner-hexagonal adjusting hole behind. Can coupled with standard thumb wheel or Inner hexagon spanner, for better adjustment sensitivity and also larger angle range.

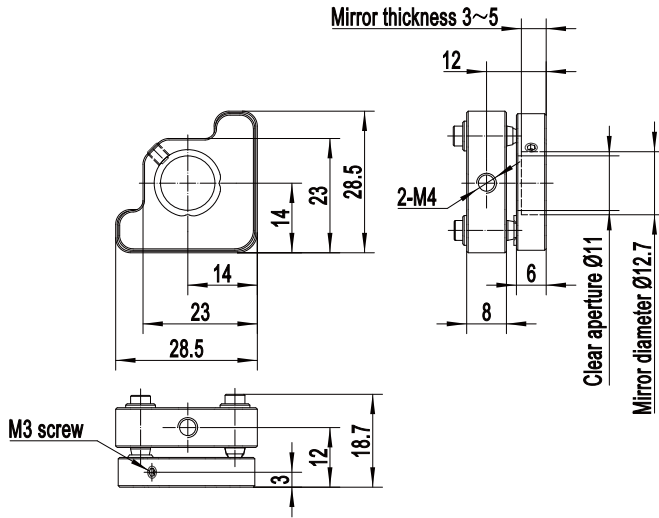
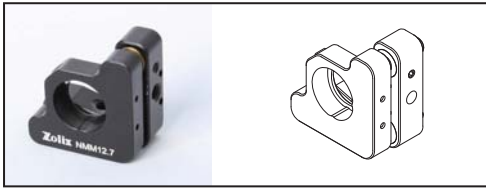
## Selection Table:

Model	NMM12.7	NMM12.7-B	NMM12.7-C	NMM12.7-D
Optic Size (mm)	φ 12.5/ φ 12.7			
Optics Thickness (mm)	3~5			
Adjustment Angle Range (° )	± 3			
Clear Aperture (mm)	φ 11	φ 11	φ 11	φ 7/ φ 11
Optic Center Height (mm)	14			
One Round of Screw Drive vs Angle Adjusted (° )	≈0.75			
Main Body Material and Treatment	aluminium alloy, surface treated by black anodic oxidation.			
Thickness of The Fixed Plate(mm)	8	8	8	9
Number of Pulling Spring	4	4	4	3
Mounting Hole	M4	M4	M4	M4, φ 6sink hole
Net Weight (g)	20			

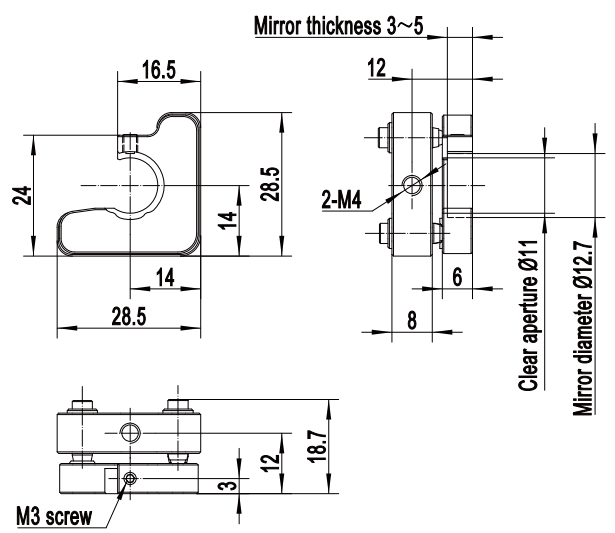
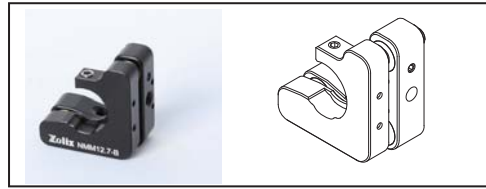
Model	NMM8m	NMM10m	NMM12.7m
Optic Size (mm)	φ 8	φ 10	φ 12.5/ φ 12.7
Optics Thickness (mm)	2~4	2~4	2~4
Adjustment Angle Range (° )	± 3		
Clear Aperture (mm)	φ 7	φ 9	φ 11.7
Optic Center Height (mm)	10		
One Round of Screw Drive vs Angle Adjusted (° )	≈0.975		
Main Body Material and Treatment	aluminium alloy, surface treated by black anodic oxidation.		
Thickness of The Fixed Plate(mm)	6		
Number of Pulling Spring	4		
Locking Mechanics	Yes		
Mounting Hole M4 M6, φ 8 Sink Hole	M4		
Net Weight (g)	10		

**Dimensions:**

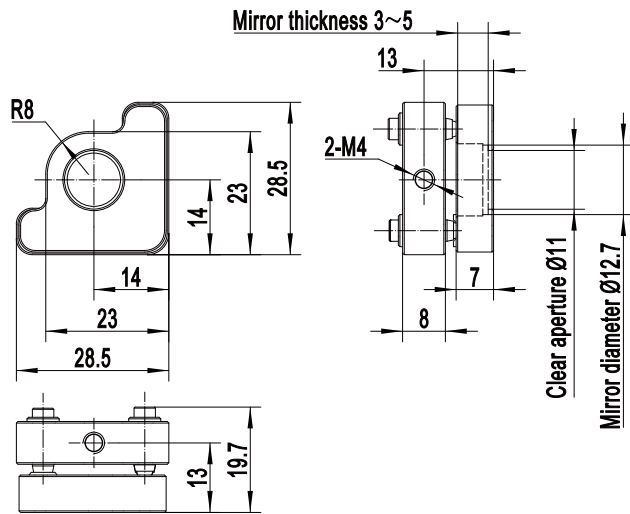
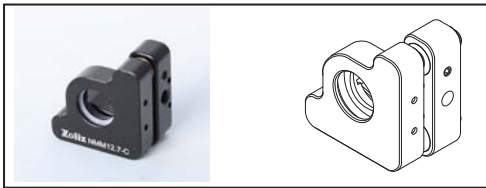
NMM12.7



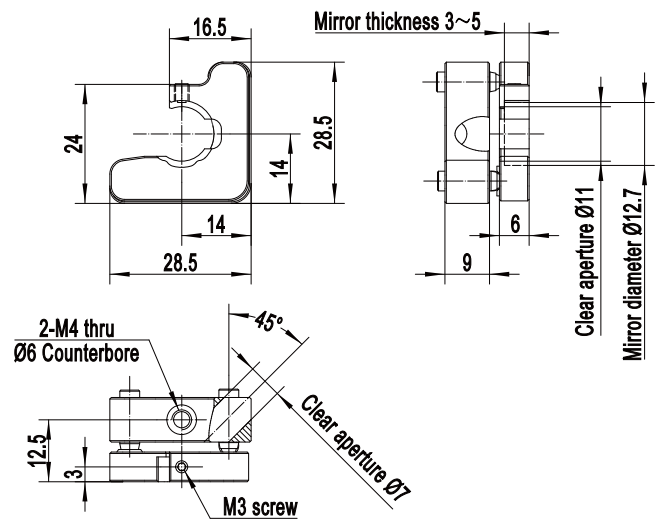
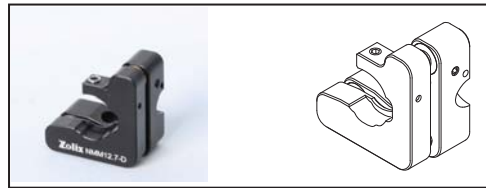
NMM12.7-B



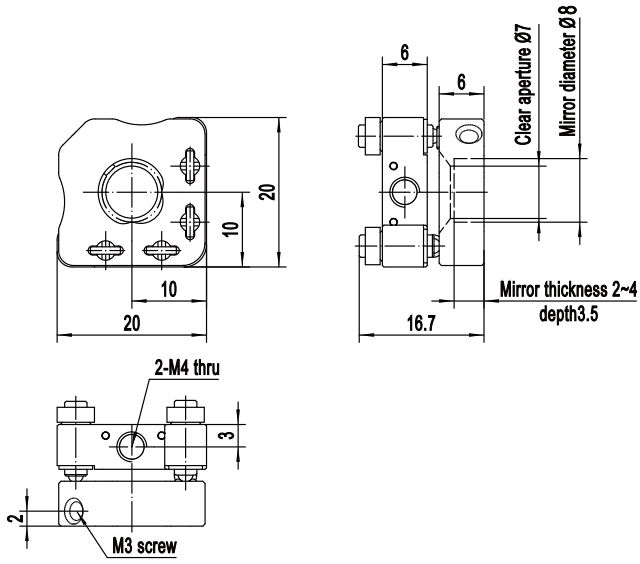
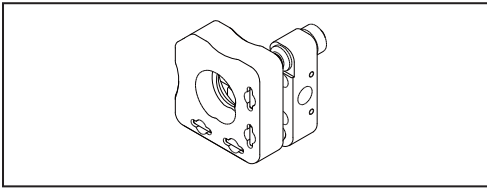
NMM12.7-C



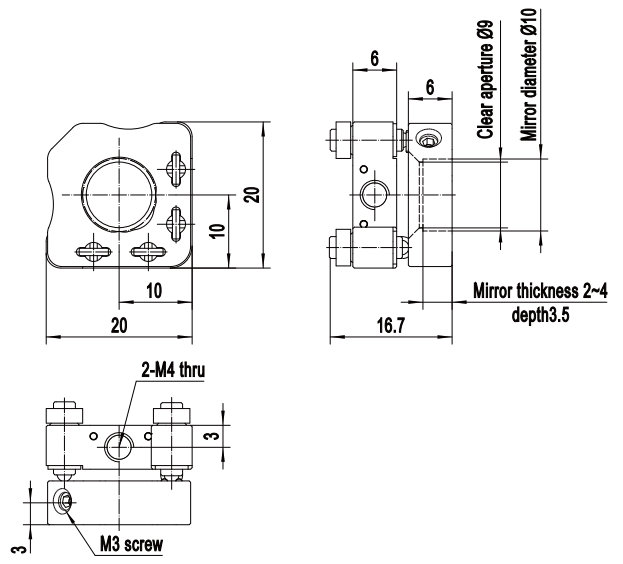
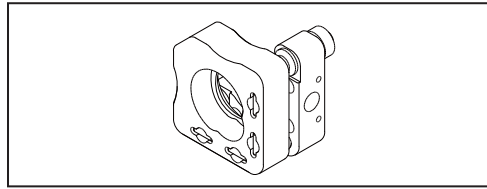
NMM12.7-D



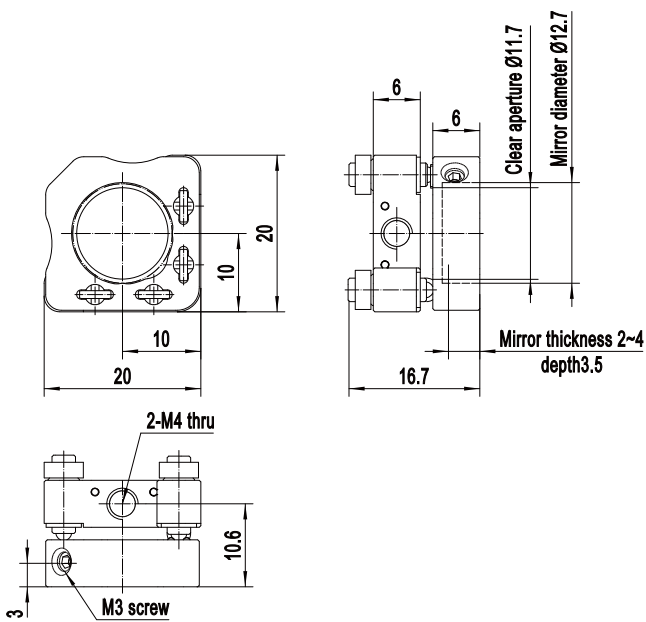
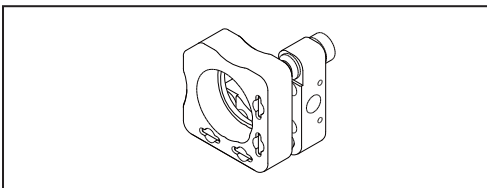
NMM8m



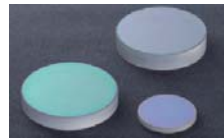
NMM10m



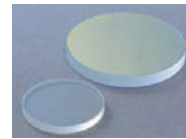
NMM12.7m



Related Products



Mirrors with coating



Beamsplitter



Connecting Accessories