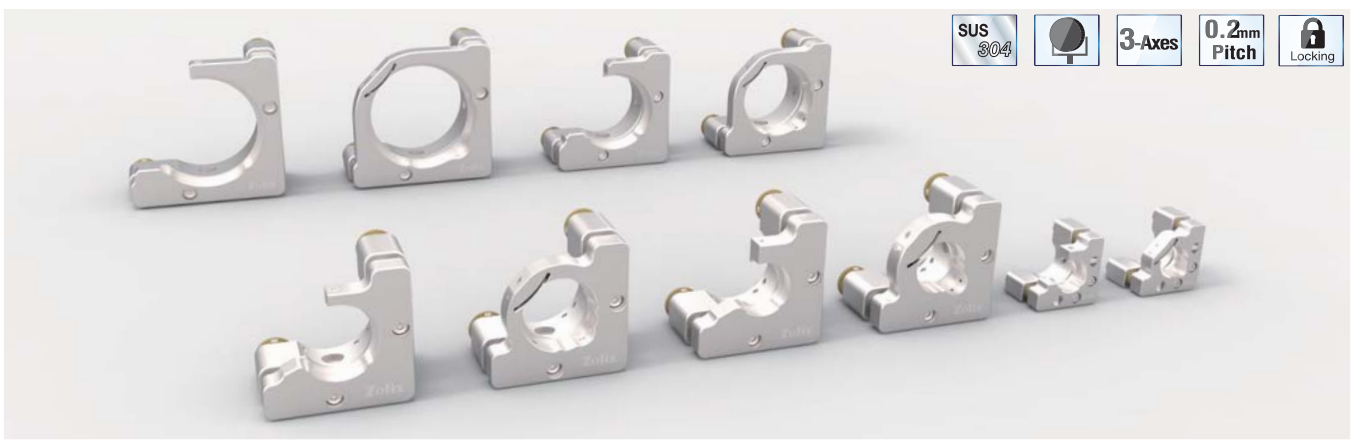


OMUS series Stainless Steel Kinematic Mirror Mount



Brief Introduction:

OMUS series is Zolix stainless steel high end kinematic mirror mounts .

Features:

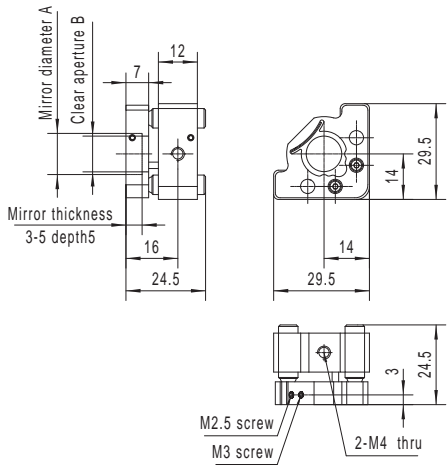
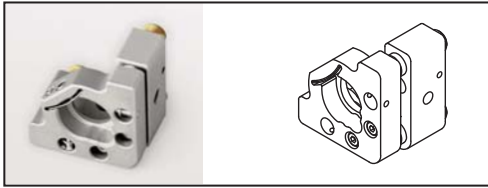
- High-quality materials: The main body is made of stainless steel , more rigid and stable, can work in vacuum when using the vacuum grease
- Advanced structure: Four pulling springs, more uniform pulling force
- High sensitivity 0.2 mm pitch super-fine thread pairs for 3D adjustment, for higher sensitivity; special lock mechanics for more stable
- Dual fixing method : One locking method is specially designed elastic ring , which can avoid the lens deformation by the locking screws or rigid fixing. Improve the stability of the optical path. Or you can take off the elastic ring, using the side elastic plate fix the lens.
- Dual adjustment method: Adjusting thread pair come with hexagonal wrench or thumb wheel. for better adjustment sensitivity and also larger angle range.
- Easy for tuning: Available for using the hexagon wrench or thumb wheel
- Universal: M4.M6 screw holes

Selection Table:

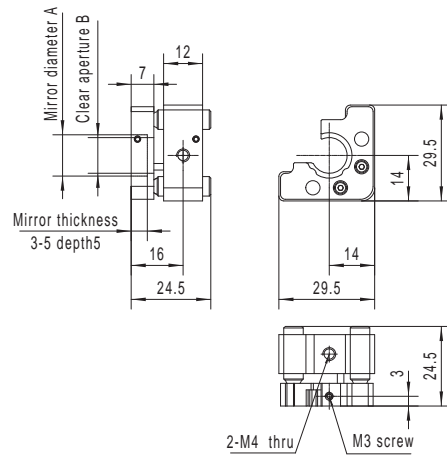
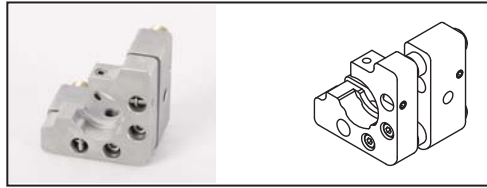
| Model | OMUS12.7(-B) | OMUS20(-B) | OMUS25.4(-B) | OMUS38.1(-B) | OMUS50.8(-B) |
|--|--|------------------|--------------|--------------|--------------|
| Optic Size (mm) | φ 12.5/ φ 12.7 | φ 20 | φ 25/ φ 25.4 | φ 38.1 | φ 50/ φ 50.8 |
| Optics Thickness (mm) | 3~5 | | | | |
| Adjustment Angle Range (°) | ±3 | | | | |
| Front Plate Translation (mm) | MAX6 | | | | |
| Clear ApertureB(mm) | 11 | 18 | 23.5 | 35 | 47 |
| Optic Center Height (mm) | 14 | 25 | 25 | 30 | 35 |
| One Round of Screw Drive vs Angle Adjusted (°) | ≈0.56 | ≈0.32 | ≈0.32 | ≈0.25 | ≈0.2 |
| Main Body Material and Treatment | Stainless Steel , Sandblasting passivation | | | | |
| Fixed Plate Thickness(mm) | 12 | 18 | 18 | 18 | 18 |
| Number of Pulling Spring | 2 | 4 | | | |
| Locking Mechanics | Yes | Yes | | | |
| Mounting Hole | M4 | M6, φ 8sink hole | | | |
| Net Weight (g) | 60(60) | 250(240) | 240(230) | 310(290) | 360(330) |

Dimensions:

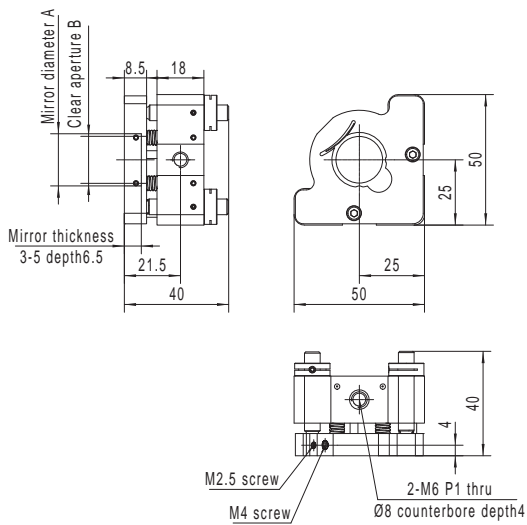
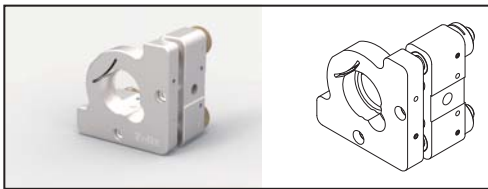
OMUS12.7



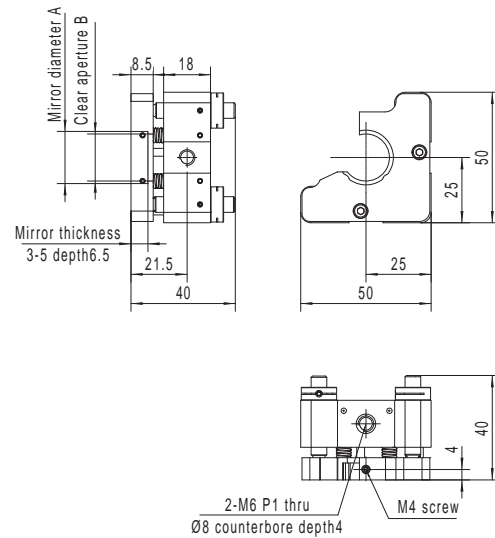
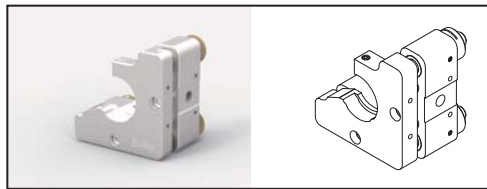
OMUS12.7-B



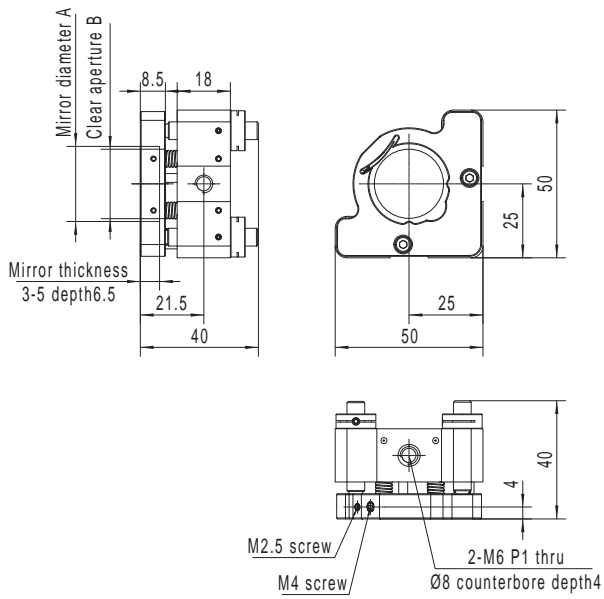
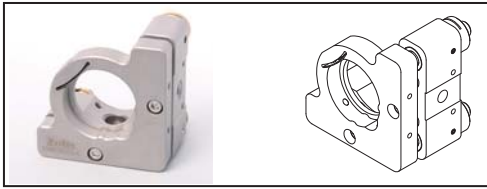
OMUS20



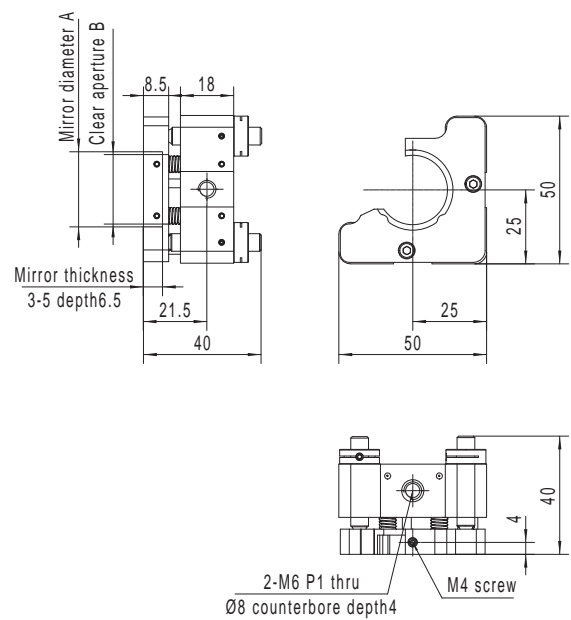
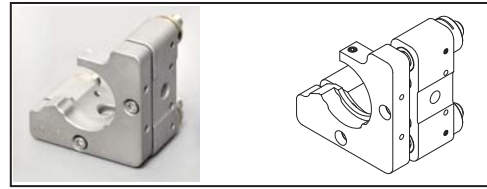
OMUS20-B



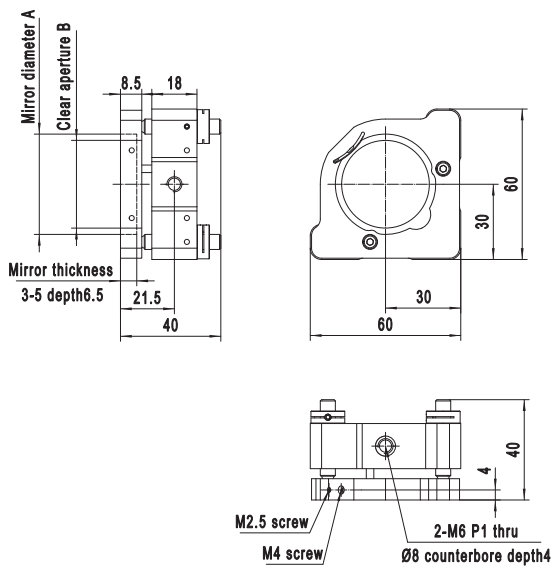
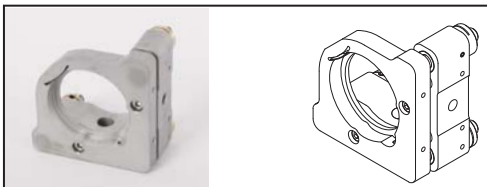
OMUS25.4



OMUS25.4-B



OMUS38.1



OMUS38.1-B

