

DRB series Damping Vibration Isolation Optical Table (Patent NO.: ZL201920504626.4)



Specification:

- Resonant Frequency: <math><7\sim 20\text{Hz}</math>
- Surface Flatness: 0.1mm/600mm × 600mm
- Working Surface: 4-6mm thick SUS430(1Cr17) stainless steel
- Bottom Skin: 4-6mm thick carbon steel
- Thickness: 50/100/150/200mm,
- Total Height(table top and supports):800mm, Height Adjustment: -10~+15mm
- Mounting Hole Grid: 25mm × 25mm
- Mounting Hole Borders: 37.5mm
- Mounting Holes: M6
- Weight: 50mm thickness: 110Kg/m²
100mm thickness: 120Kg/m²
150mm thickness: 130Kg/m²
200mm thickness: 140Kg/m²

Details:

Type B dual frequency damping vibration isolation



Height adjustment structure



Integral welding supports



Accessories:

Wrench



Spirit level

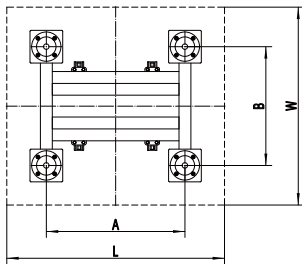
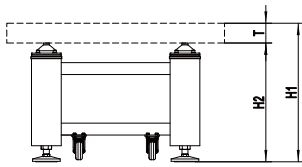


Selection Table:

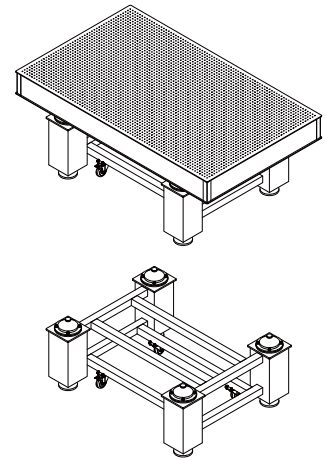
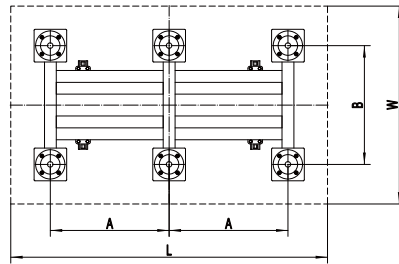
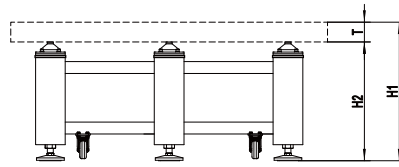
Model	Size(mm)	Thickness(mm)	Tabletop Weight(Kg)	Table Feet Area(mm)	Supports Load(Kg)	Notes
DRB06-06	600×600×800	50	40	80×80	500	4 legs
DRB09-06	900×600×800	50	59	80×80	500	4 legs
DRB10-08	1000×800×800	50	88	80×80	500	4 legs
DRB12-06	1200×600×800	50	79	80×80	500	4 legs
DRB12-08	1200×800×800	50	106	80×80	500	4 legs
DRB12-09	1200×900×800	50	119	80×80	500	4 legs
DRB12-12	1200×1200×800	50	158	80×80	500	4 legs
DRB15-09	1500×900×800	100	162	120×120	800	4 legs
DRB15-10	1500×1000×800	100	180	120×120	800	4 legs
DRB15-12	1500×1200×800	100	216	120×120	800	4 legs
DRB15-15	1500×1500×800	100	270	120×120	800	4 legs
DRB18-09	1800×900×800	100	194	120×120	800	4 legs
DRB18-10	1800×1000×800	100	216	120×120	800	4 legs
DRB18-12	1800×1200×800	100	259	120×120	800	4 legs
DRB18-15	1800×1500×800	100	324	120×120	800	4 legs
DRB20-10	2000×1000×800	150	260	160×160	1000	4 legs
DRB20-12	2000×1200×800	150	312	160×160	1000	4 legs
DRB20-15	2000×1500×800	150	390	160×160	1000	4 legs
DRB24-12	2400×1200×800	150	374	160×160	1000	4 legs
DRB24-15	2400×1500×800	150	468	160×160	1000	4 legs
DRB24-18	2400×1800×800	150	562	160×160	1000	4 legs
DRB30-12	3000×1200×800	200	504	160×160	1500	6 legs
DRB30-15	3000×1500×800	200	630	160×160	1500	6 legs
DRB35-12	3500×1200×800	200	588	160×160	1500	6 legs
DRB35-15	3500×1500×800	200	735	160×160	1500	6 legs

Drawing:

4 legs



6 legs



Model	Size(mm)						
	L	W	A	B	T	H1	H2
DRB06-06	600	600	400	400	50	800	750
DRB09-06	900	600	600	400	50	800	750
DRB10-08	1000	800	700	600	50	800	750
DRB12-06	1200	600	900	400	50	800	750
DRB12-08	1200	800	900	600	50	800	750
DRB12-09	1200	900	900	600	50	800	750
DRB12-12	1200	1200	900	900	50	800	750
DRB15-09	1500	900	1100	600	100	800	700
DRB15-10	1500	1000	1100	700	100	800	700
DRB15-12	1500	1200	1100	900	100	800	700
DRB15-15	1500	1500	1100	1100	100	800	700
DRB18-09	1800	900	1200	600	100	800	700
DRB18-10	1800	1000	1200	700	100	800	700

Model	Size(mm)						
	L	W	A	B	T	H1	H2
DRB18-12	1800	1200	1200	900	100	800	700
DRB18-15	1800	1500	1200	1100	100	800	700
DRB20-10	2000	1000	1200	700	150	800	650
DRB20-12	2000	1200	1200	900	150	800	650
DRB20-15	2000	1500	1200	1100	150	800	650
DRB24-12	2400	1200	1400	900	150	800	650
DRB24-15	2400	1500	1400	1100	150	800	650
DRB24-18	2400	1800	1400	1200	150	800	650
DRB30-12	3000	1200	1100	900	200	800	600
DRB30-15	3000	1500	1100	1100	200	800	600
DRB35-12	3500	1200	1200	900	200	800	600
DRB35-15	3500	1500	1200	1100	200	800	600